

**UK/EU** English

EVOLUTION  
**AQUA**

INNOVATION IN WATER

Affix serial number here

evouV

## INSTALLATION AND OPERATING MANUAL

Complete instructions for all models of evouV

ev015 ev025 ev030 ev055 ev075 ev0110

### WARNING:

- Ensure that the unit is **switched off** at the mains before you attempt to conduct any type of maintenance on the evouV.
- Ensure the unit is installed in the recommended orientation, see page 9.
- Fit the quartz sleeves and O-rings and switch on pump to check that unit is water tight before fitting the bulb, bulb socket and end cap.
- Ensure that the end cap is tight before running the unit.
- After replacing bulbs or before tightening the end cap, make sure that the O-Rings are in the correct position, and the bulb sockets are dry.
- If the electrical connections get wet, dry thoroughly before switching power on.
- **Do not attempt to tamper or access the electrical connections inside the evouV, as doing so will invalidate the warranty.**

# WARNING: PLEASE READ THE FOLLOWING SAFETY INFORMATION FIRST.

## IMPORTANT SAFETY INFORMATION

- Never look directly at an illuminated UV bulb.
- Do not run this unit dry.
- Do not cover this unit.
- Please ensure that the unit is full of water before switching it on.
- Always isolate the unit from mains electricity and turn off any water supply before carrying out any maintenance.
- Always disconnect all pond appliances from the mains supply before putting your hands into the water.
- Use in the area of the garden pond only if the installation complies with the relevant wiring regulations.
- Power must be supplied through a Residual Current Device (RCD) with a residual operating current not exceeding 30mA.
- This unit must be earthed when earth wire is fitted.
- Never use a fuse larger than 3 amps on the power lead.
- The unit must not be submerged in water.
- The unit should be mounted in the recommended position for damp / wet environments.
- If the quartz sleeve is cracked, replace it immediately.
- The unit must be either fully frost protected or taken inside during Winter months.
- Young children should always be supervised near water.



## PRODUCT INFORMATION

- **Rating UK and EU:**  
evo15 and evo25: 220-240V, 50Hz.  
evo30, evo55, evo75 and evo110: 220-240V, 50/60Hz.
- **Rating in USA only:**  
All models: 100-277V, 50/60Hz.
- Class 1, IPX5 (IP64 for evo110 only).
- All components are CE compliant.



## Disposal Of Your Old Product

Your product is designed and manufactured with high quality material and components, which can be recycled and reused. When this crossed-out wheeled bin symbol is attached to a product, it means the product is covered by the European Directive 2002/96/EC. Please contact your local authority about correct disposal for electrical and electronic equipment. Our WEE Registration Number is WEE/FE1471RR.

Please act according to your local rules and do not dispose of your old products with your normal household waste. The correct disposal of your old product will help prevent potential negative consequences for the environment and human health.



## INTRODUCING EVOLUTION AQUA'S evoUV

Congratulations on purchasing an Evolution Aqua evoUV. Our range of evoUV pond clarifiers have been manufactured using the latest technology and design techniques. evoUVs have been designed to clear green water which is caused by single celled green algae, and prevent it from returning. evoUVs will work alongside many different filtration systems but when used alongside Evolution Aqua's pond filtration systems, the evoUV will deliver crystal clear and healthy pond water.

Please read this instruction manual carefully from start to finish before attempting to install your evoUV.

## UNBOXING THE evoUV

On opening the box, you can see that the UV bulb and quartz sleeve are packed separately for safe transit. Please refer to pages 7 of this manual for instructions on how to install the bulb and quartz sleeve. Quartz Sleeve O-Rings and End Cap Sealing Rings are packed in a small bag inside the box.

On the evo110 the stainless steel mounting brackets are located in the cardboard end fitment, please remove these and fit to the evo110 as instructed on page 9.

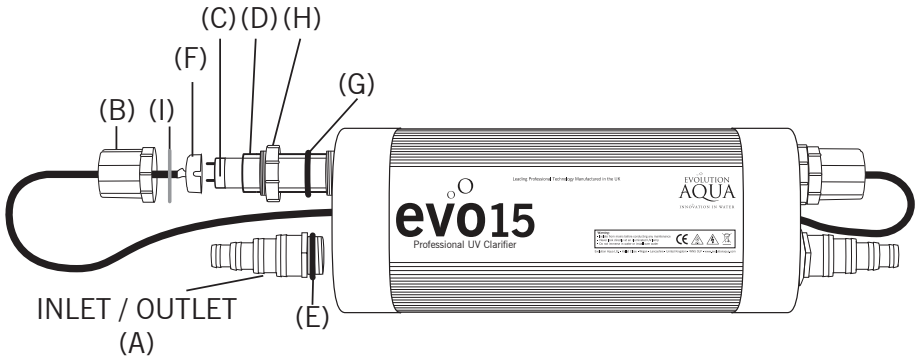
Please take time to familiarise yourself with your evoUV and its components.

## CONTENTS

evoUV Diagram and components list	PAGE 4
Flow Rates	PAGE 6
Installing the quartz sleeve	PAGE 7
Positioning and Mounting the evoUV	PAGE 8
Connection to Your Pipework	PAGE 10
Water testing	PAGE 14
Connection to the Electricity Supply	PAGE 15
Installing the UV bulb	PAGE 16
UV Bulb Replacement	PAGE 17
Replacing / Cleaning the Quartz Sleeve	PAGE 18
In Built Protection	PAGE 19
Trouble Shooting	PAGE 20
Frequently Asked Questions	PAGE 21
Guarantee	PAGE 22



# evoUV DIAGRAMS AND COMPONENTS LIST

Please familiarise yourself with the components shown in the diagram below:



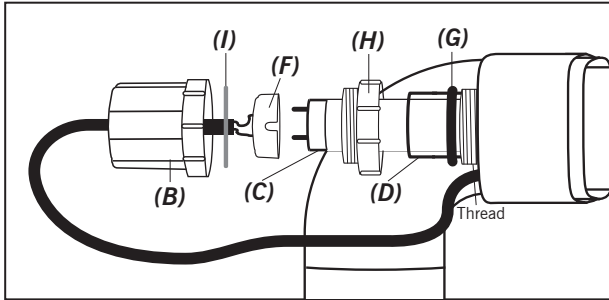
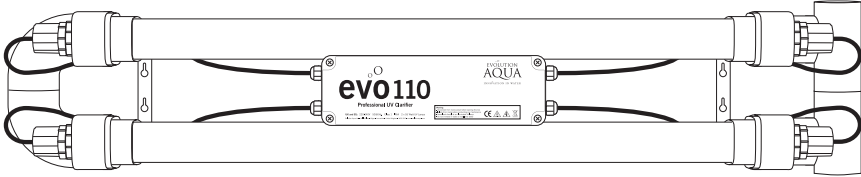
Description	Diagram Code	EA Order Code
1 ½" Hosetail	<b>A</b>	HOSETAIL15TH
End Cap	<b>B</b>	EVOCONNUT
UV Bulb	<b>C</b>	Available from your EA Dealer*
Quartz Sleeve	<b>D</b>	Available from your EA Dealer*
Hosetail O-Ring	<b>E</b>	EVOUVORINGHOSET
Bulb Socket	<b>F</b>	LAMPHOLDER-T8
Quartz Sleeve O-Ring	<b>G</b>	EVOUVORINGZ
Locking Nut	<b>H</b>	EVO-M/F
End Cap Sealing Ring	<b>I</b>	EVOUVOFLATWASHER

*\*For optimum performance, the electronic ballast has been configured for UV bulbs supplied by Evolution Aqua. When sourcing replacement UV Bulbs or quartz sleeves always buy components supplied by Evolution Aqua from your nearest Evolution Aqua stockist.*

IDENTIFYING THE O-RingS		
<p>These O-Rings are packed in a small bag inside the box.</p> <p>QTY X 2: Quartz Sleeve O-Rings <b>(G)</b></p> <p>QTY x 2: End Cap Sealing Rings <b>(I)</b></p>		
 <p>Round O-Ring</p>	 <p>Flat Washer</p>	
<p>Quartz Sleeve O-Ring <b>(G)</b></p>	<p>End Cap Sealing Ring <b>(I)</b></p>	

# evoUV DIAGRAMS AND COMPONENTS LIST (evo110)

Please familiarise yourself with the components shown in the diagram below:



*\*For optimum performance, the electronic ballast has been configured for UV bulbs supplied by Evolution Aqua. When sourcing replacement UV Bulbs or quartz sleeves always buy components supplied by Evolution Aqua from your nearest Evolution Aqua stockist.*

Description	Diagram Code	EA Order Code
End Cap	<b>B</b>	EVOCONNUT
UV Bulb	<b>C</b>	Available from your EA Dealer*
Quartz Sleeve	<b>D</b>	Available from your EA Dealer*
Hosetail O-Ring	<b>E</b>	EVOUVORINGHOSET
Bulb Socket	<b>F</b>	LAMPHOLDER-T8
Quartz Sleeve O-Ring	<b>G</b>	EVOUVORINGZ
Locking Nut	<b>H</b>	EVO-M/F
End Cap Sealing Ring	<b>I</b>	EVOUVOFLATWASHER


For European models two 2" imperial to 63mm metric reducers are supplied.

### IDENTIFYING THE O-RINGS

These O-Rings are packed in a small bag inside the box.


QTY X 4: Quartz Sleeve O-Rings **(G)**

QTY x 4: End Cap Sealing Rings **(I)**



Round O-Ring

Quartz Sleeve O-Ring **(G)**



Flat Washer

End Cap Sealing Ring **(I)**

## FLOW RATES

**Please note:** For optimum performance we recommend that you pass the entire volume of your pond through the evoUV unit once every 2 to 3 hours.

We do not recommend the use of pumps with operating pressures in excess of 3 bar.

Model	Max. pond size	Max. flow rate	Bulb power	Inlet / Outlet	Fittings supplied
<b>evo15</b>	15,000 Litres 3,300 UK Gallons 3,963 US Gallons	7,500 Litres/hr 1,650 UK Gallons/hr 1,982 US Gallons/hr	15W (1 x 15W T8)	1½"	2 x 1½" Threaded Hosetails
<b>evo25</b>	20,000 Litres 4,400 UK Gallons 5,284 US Gallons	10,000 Litres/hr 2,200 UK Gallons/hr 2,642 US Gallons/hr	25W (1 x 25W T8)	1½"	2 x 1½" Threaded Hosetails
<b>evo30</b>	30,000 Litres 6,600 UK Gallons 7,925 US Gallons	15,000 Litres/hr 3,300 UK Gallons/hr 3,962 US Gallons/hr	30W (1 x 30W T8)	1½"	2 x 1½" Threaded Hosetails
<b>evo55</b>	55,000 Litres 12,100 UK Gallons 14,530 US Gallons	20,000 Litres/hr 4,400 UK Gallons/hr 5,284 US Gallons/hr	55W (1 X 55W T8)	1½"	2 x 1½" Threaded Hosetails
<b>evo75</b>	75,000 Litres 16,500 UK Gallons 19,815 US Gallons	25,000 Litres/hr 5,500 UK Gallons/hr 6,605 US Gallons/hr	75W (1 X 75W T8)	1½"	2 x 1½" Threaded Hosetails
<b>evo110</b>	75,000 Litres 16,500 UK Gallons 19,815 US Gallons	25,000 Litres/hr 5,500 UK Gallons/hr 6,605 US Gallons/hr	110W (2 X 55W T8)	2"	No Fittings Supplied

Your evoUV will keep your pond clear of green water up to its maximum capacity. However, it is important to note that there are factors that affect how you select the right size of evoUV for your pond.

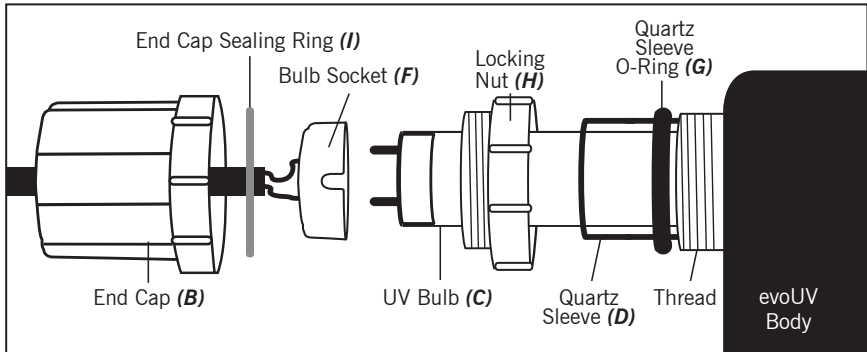
You will need to take into consideration such things as stocking levels, sunlight / shade, daily sunshine amounts etc. This is not always possible to calculate, and if this is the case, use the tables below as a guide. It must be stressed however, that these are only guidelines, and you should take advice from your local Evolution Aqua dealer

USA - Southern States / Mediterranean	3 Watts UV per 1,000 litres
Northern Europe including UK	2 Watts UV per 1,000 litres
USA - Northern States / Canada	1 Watts UV per 1,000 litres

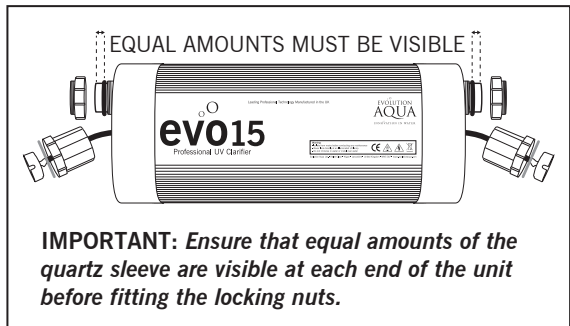
POND SIZE		POND IS IN FULL SHADE		POND IS IN PART SHADE		POND IS IN FULL SUN	
		LOW STOCK	HIGH STOCK	LOW STOCK	HIGH STOCK	LOW STOCK	HIGH STOCK
<7,500 Litres	<1,650 UK Gallons <1,982 US Gallons	evo15	evo15	evo15	evo15	evo15	evo25
<15,000 Litres	<3,300 UK Gallons <3,963 US Gallons	evo15	evo25	evo15	evo25	evo25	evo30
<20,000 Litres	<4,400 UK Gallons <5,284 US Gallons	evo25	evo30	evo30	evo30	evo30	evo55
<30,000 Litres	<6,600 UK Gallons <7,925 US Gallons	evo30	evo55	evo55	evo55	evo55	evo55
<55,000 Litres	<12,100 UK Gallons <14,530 US Gallons	evo55	evo75 / evo110*	evo75 / evo110*	evo75 / evo110*	evo75 / evo110*	evo75 / evo110*
<75,000 Litres	<16,500 UK Gallons <19,815 US Gallons	evo75 / evo110*	evo75 / evo110*	evo75 / evo110*	evo75 / evo110*	evo75 / evo110*	evo75 / evo110*

\*evo110 offers even more UV per volume than the evo75 for more demanding situations

## INSTALLING THE QUARTZ SLEEVE



1. Starting at one end of the unit, unscrew the black end cap **(B)**. You will notice that this black end cap houses the bulb socket **(F)**.
2. Unscrew the white locking nut **(H)** from the same end.
3. Repeat steps 1 and 2 at the other end of the unit.
4. Take the quartz sleeve **(D)** from the packaging box and slide it through the evoUV until it finds the hole at the far end of the unit.
5. Take the quartz sleeve O-Ring **(G)** and fit it around one end of the quartz sleeve.
6. Slide this quartz sleeve O-Ring **(G)** towards the thread on the evoUV body, ensuring that equal amounts of quartz sleeve are visible at each end of the unit.
7. Fit the quartz sleeve O-Ring **(G)** at the other end of the quartz sleeve, again ensuring that equal amounts of quartz sleeve are visible at each end of the unit.
8. Now screw the white locking nut **(H)** back into position.
9. Ensure the locking nut is **HAND TIGHTENED** to prevent causing damage to the O-Ring. No tools are needed.
10. Repeat steps 8 and 9 at the other end of the unit.
11. The quartz sleeve is now in position and the unit is ready to be installed.
12. Run for 24hours to check the installation is correct with no leaks. Re-install if any leaks are detected - if no leaks proceed to lamp installation.



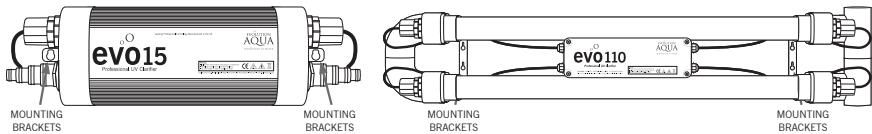
**HAND TIGHTEN FITTINGS ONLY - DO NOT USE TOOLS**

## POSITIONING AND MOUNTING THE evoUV

If you are going to position your evoUV outside or in an area where it is likely to get splashed regularly with water, then you must mount the unit the correct way up, as shown in the illustration below. ***If your evoUV will be positioned in a permanently dry environment then it can be installed in any position.***

Your evoUV must not be submerged in water or placed in a position where water may collect around the unit. The electrics within the evoUV units are sealed in a water tight unit. evoUV has an IP rating of X5, the evo110 model is IP64.

Please ensure that there is enough space at one end of the evoUV to enable bulb / quartz sleeve removal and maintenance.



Fix your evoUV into position using the stainless steel brackets provided. The brackets come pre-fitted on evo15, 25, 30, 55 and 75 models.

**PLEASE NOTE:** Wall mounting screws and washers are not provided.

### Fitting evo110 mounting brackets

Two stainless steel mounting brackets are included with the evo110. These are located within the cardboard packaging end fitment. Hex screws and nuts are pre-installed in position to secure the brackets to the unit. Follow the steps below to undertake this. **PLEASE NOTE:** Wall mounting screws and washers are not provided.



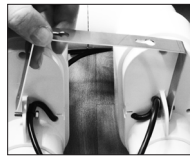
Remove brackets from both cardboard packaging end fitments.



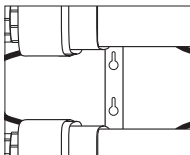
Screws and nuts are pre-installed in position where the brackets need to go.



At one end of the UV, unscrew the nuts only but leave the screws and cable holder in place.



With the nuts off, fit the bracket over the screw threads with drill holes facing upwards - ready for wall mounting.



Double check the brackets are the correct way up to help with wall mounting.



Using an 8mm spanner to hold the screw heads, tighten up the nuts to secure the bracket.



Repeat the process for the bracket at the other end of the UV.



Your evo110 is now ready to be mounted to the wall.



## POSITIONING AND MOUNTING THE evoUV

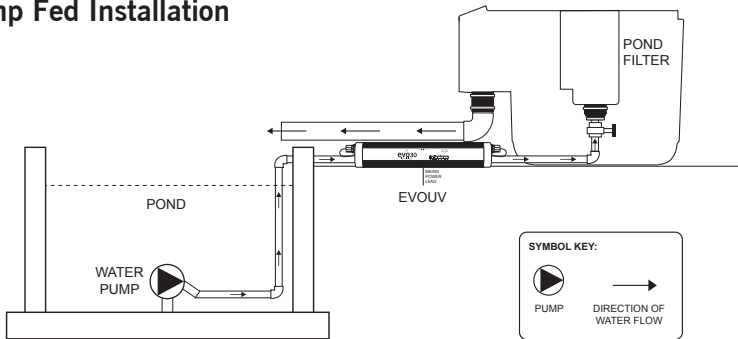
If installing the unit prior to or without a pond filter, we would recommend the use of a pre-filter on the water pump to prevent excess solids from being pumped into the unit. The evoUV may be connected to the water flow on any pumped line, this could be, for instance, a skimmer line or any other additional pumped line. The two most common forms of set up are pump fed and gravity fed, shown below:

Most evoUV are designed to take 1½" threaded fittings.

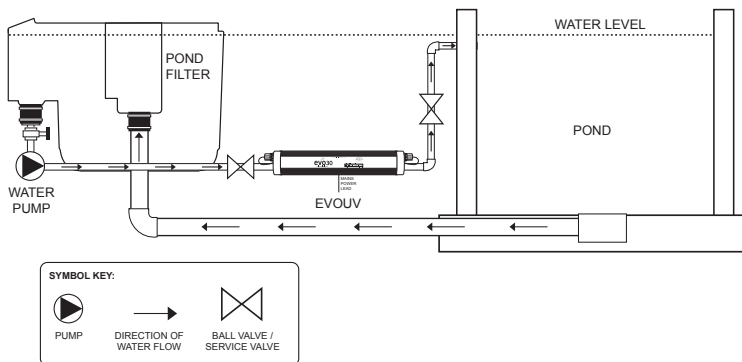
**Note:** evo110 is 2" plain fittings only.

***\*If your evoUV will be positioned in a permanently dry environment then it can be installed in any position.***

### Pump Fed Installation



### Gravity Fed Installation



## PLEASE NOTE:

On Gravity Fed systems it is recommended to install a ball valve either side of the evoUV for maintenance.

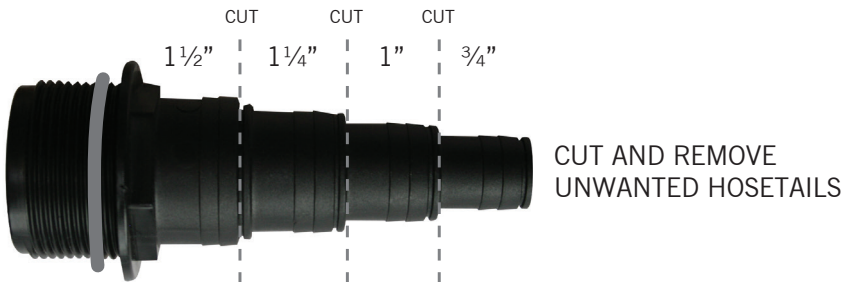
## CONNECTION TO YOUR PIPEWORK (evo15, 25, 30, 55, 75 only)

**IMPORTANT:** *Do not overtighten fittings.*

The two universal hoesetails supplied with the evoUV, should be screwed into the inlet / outlet at either end of the unit. Hoesetails should be tightened using hand pressure only. Ensure that the O-Rings are in position before assembling. Please note that there is no correct direction of flow through the unit, either end of the unit may be used as the inlet or outlet.

### Connection with flexible hose

The evoUV is supplied with two universal hoesetails to take  $\frac{3}{4}$ ", 1",  $1\frac{1}{4}$ ", and  $1\frac{1}{2}$ " diameter flexible hose. If you are using one of the two larger sizes, the smaller sections of the hoesetails must be cut off to ensure sufficient water flow and to prevent possible damage to the pump. We recommend that you use the largest diameter hose available. The hoesetails should be trimmed away from the unit as shown in the diagram below. Once the hoesetails have been trimmed, attach them to the unit as shown below. Secure the flexi-hose to the hoesetail with a stainless steel hose clip (not provided).



### CONNECTION TO FLEXIBLE HOSE

Use these fittings to connect  $1\frac{1}{2}$ " Flexible Hose to an evoUV.

Use a stainless steel hose clip (not supplied) to secure the hose to the fitting.

**DO NOT OVERTIGHTEN HOSETAIL**



## CONNECTION TO YOUR PIPEWORK (evo15, 25, 30, 55, 75 only)

**IMPORTANT: DO NOT OVERTIGHTEN FITTINGS**

### Connection using rigid pipe

The unit may also be rigid plumbed by the use of an adaptor (not supplied).

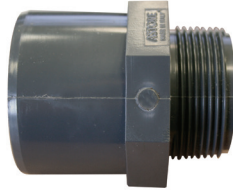
#### OPTION 1 - CONNECTION TO 1½" PRESSURE PIPE

Use these fittings to connect the evoUV to 1½" Pressure Pipe.

**DO NOT OVERTIGHTEN FITTINGS**



EA PIPEWORK CODE:  
**U10-050**  
1½" Pressure Pipe



EA FITTING CODE:  
**K82-23-55**  
1½" Straight Connector Converter  
Threaded Male to Plain Female

→  
Screw into  
evoUV

#### OPTION 2 - VERSATILE CONNECTION TO 1½" PRESSURE PIPE

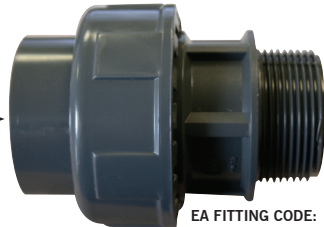
Use these fittings for a versatile option to connect 1½" Pressure Pipe.

This option allows for easy removal of the evoUV.

**DO NOT OVERTIGHTEN FITTINGS**



EA PIPEWORK CODE:  
**U10-050**  
1½" Pressure Pipe



EA FITTING CODE:  
**K82-78-55**  
1½" Single Union  
Threaded Male to Plain Female

→  
Screw into  
evoUV

## CONNECTION TO YOUR PIPEWORK (evo110)

**IMPORTANT:** DO NOT OVERTIGHTEN FITTINGS

### CONNECTION USING RIGID PIPE

All fittings connected to the evo110 should be glued using solvent weld adhesive.

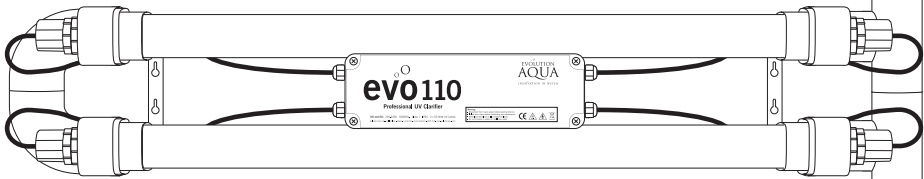
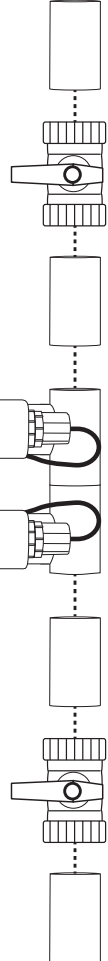
EA CODE: S79-0-500

We recommend using a 2" Double Union Ball Valve glued to a length of 2" Pressure Pipe at each end of the UV. This will enable you to isolate the UV during maintenance.

EA PIPEWORK CODE:  
**U10-0632"**  
2" Pressure Pipe

EA CODE:  
**K25-50-63"**  
2" Double  
Union  
Ball Valve

EA PIPEWORK CODE:  
**U10-0632"**  
2" Pressure Pipe



### EUROPEAN MODELS (NOT UK)

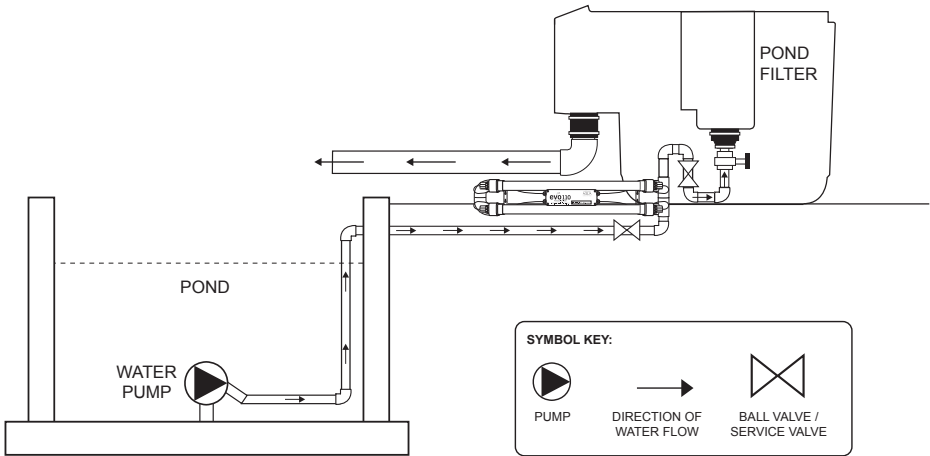
European adapter fittings are supplied with EU models to allow connection to 63mm pipe.

EA PIPEWORK CODE:  
**U10-0632"**  
2" Pressure Pipe

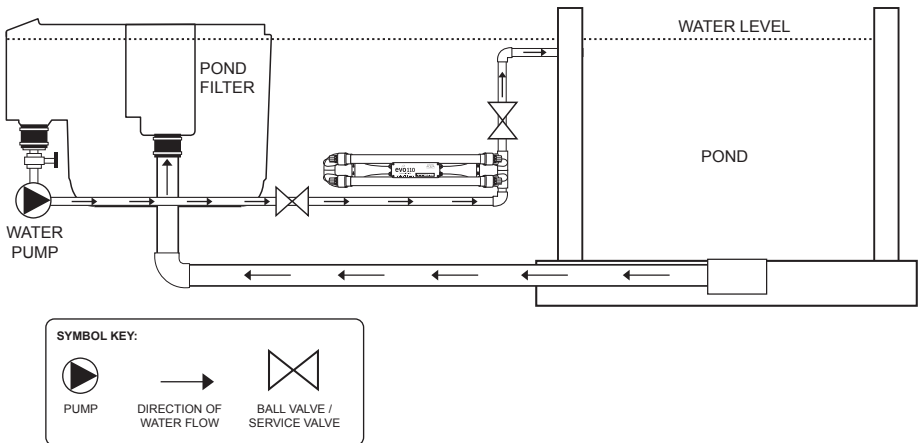
EA CODE:  
**K25-50-63"**  
2" Double  
Union  
Ball Valve

EA PIPEWORK CODE:  
**U10-0632"**  
2" Pressure Pipe

## Pump Fed Installation



## Gravity Fed Installation

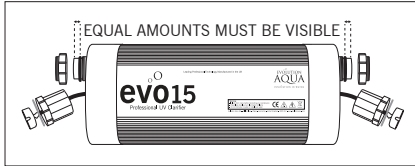


### PLEASE NOTE:

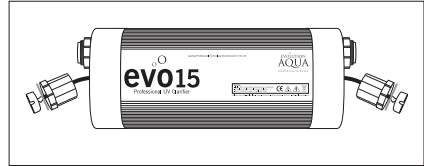
On Gravity Fed systems it is recommended to install a ball valve either side of the evoUV for maintenance.

# WATER TESTING THE QUARTZ, O-RINGS AND LOCKING NUTS

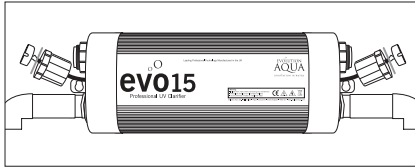
Now that the unit is in position and connected to pipework, the quartz sleeve and O-ring at each end can be leak tested to ensure that they have been fitted properly. Failure to test for leaks and improper installation at this stage may cause water to seep into and damage the bulb socket and end cap sealing ring.



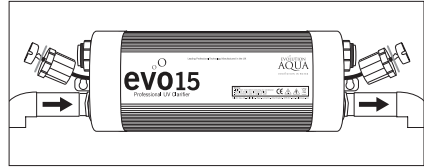
**STEP 1:** Fit quartz sleeve, o-rings and locking nuts.



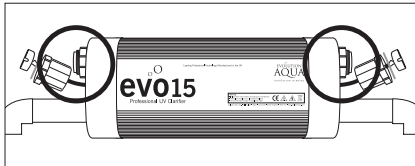
**STEP 2:** Check the locking nuts are hand tight only.



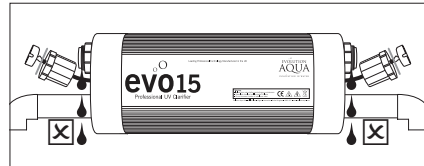
**STEP 3:** Position and mount UV and connect to pipework.



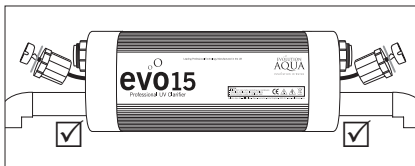
**STEP 4:** Turn on pump and pump water through unit.



**STEP 5:** Check locking nuts for signs of water leaking.



**STEP 6:** If water seeps from locking nuts, revisit installing the quartz sleeve on page 7.



**STEP 7:** If no water leaks, quartz sleeve has been properly installed. Proceed to connection to the electricity supply on page 15.



## WARNING

Failure to test for leaks and improper installation at this stage may cause water to seep into and damage the bulb socket and ballast. Water damage from improper installation is **NOT** covered under warranty.

## CONNECTION TO THE ELECTRICITY SUPPLY

Electrical installations must be done by a qualified electrician.

**Do not attempt to tamper with or access the electrical control box or casing inside the evoUV, as doing so will invalidate the warranty.**

The power supply must meet the specifications on the product.  
The cores in the supply cable are coloured in accordance with the following code:

Brown = Live. Blue = Neutral. Earth = Green/Yellow  
(WHERE FITTED).

Do not use the supply cable to lift the evoUV as this may cause damage.



**WARNING** - A Residual Current Device (RCD), also known as the Residual Current Circuit Breaker (RCCB), with a tripping current not exceeding 30mA must be installed in the supply circuit. A means of disconnection from the supply having a contact separation of at least 3mm in all poles must be incorporated in the wiring.



**Caution:** Use in the area of the garden pond only if the installation complies with the relevant wiring regulations. Please consult a qualified electrician.

**Caution:** Always disconnect all pond appliances from the mains supply before putting your hands into the water.

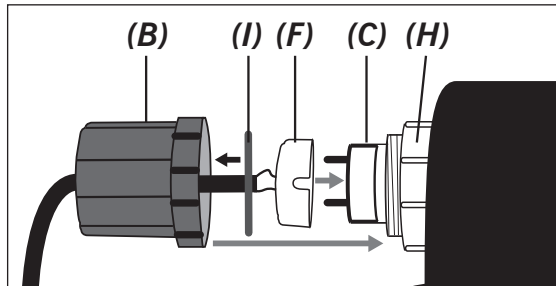
All electrical installations and wiring must be adequately protected to prevent any damage.

Enough electrical cable is supplied with the unit to connect to the mains electric. This unit must be connected to permanent wiring. A switch with 3mm contact separation must be provided in the fixed wiring to provide disconnection from the electricity supply.

## INSTALLING THE UV BULB

1. Remove all packaging from the UV bulb **(C)**.
2. Slide the UV bulb **(C)** carefully through the quartz sleeve **(D)** that you have just fitted, as per the instructions on page 6.
3. While holding one of the black end caps **(B)** gently push the cable through the end cap which will make it easier to fit the bulb socket **(F)** in step 5.  
**IMPORTANT: Do not pull the cable by holding just the bulb socket.**
4. Fit the End Cap Sealing Ring **(I)** over the bulb socket and locate it into the end cap so it is seated on the inside lip of the end cap.  
**IMPORTANT: Ensure the end cap sealing ring is not twisted and it remains in this location throughout the installation.**

5. In no particular order, align the UV bulb pins with the holes in the bulb socket and carefully push the bulb socket firmly onto the UV bulb pins. You may need to hold the other end of the UV bulb to help you fit the socket.



6. Ensure the UV bulb socket is firmly connected to the UV bulb.
7. Repeat steps 3 to 6 at the other end of the unit.
8. Now at one end of the unit, slide the black end cap (checking that the sealing ring in position) over the bulb socket while carefully holding the cable to prevent the bulb connector disconnecting from the UV bulb.
9. Screw this end cap onto the thread on the white locking nut **(H)** already connected to the UV body. **HAND TIGHTEN ONLY.**
10. Repeat steps 8 and 9 at the other end of the unit.
11. Check that all of the fittings are hand tightened. No tools are needed.

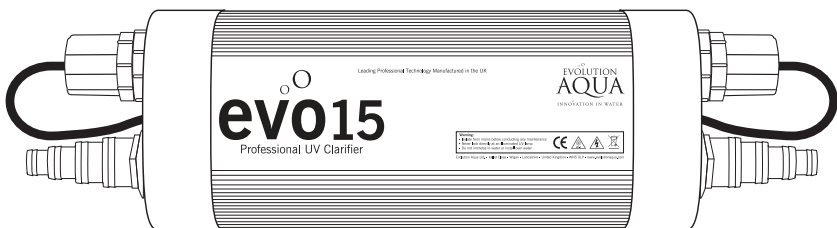


Illustration shows a finished evoUV set-up



## UV BULB REPLACEMENT

**ALWAYS ISOLATE THE UNIT FROM ANY ELECTRICITY AND WATER SUPPLIES BEFORE CARRYING OUT MAINTENANCE ON THE UNIT.**

### **TO REMOVE A UV BULB:**

It is not necessary to stop the water circulating through the evoUV to change the bulb.

1. Disconnect the electricity supply.
2. Unscrew the black end cap at one end of the unit. Take care not to unscrew the white locking nut also.
3. Carefully slide the black end cap over the wire to reveal the bulb socket. Take care not to lose the end cap sealing ring.
4. Disconnect the bulb socket.
5. Repeat steps 2 to 4 at the other end of the evoUV.
6. With the end caps out of the way, carefully slide out the UV bulb.

**WARNING:** If the end caps / electrical connections get wet during this procedure, please ensure that they are thoroughly dried before re-connecting.

### **TO INSTALL A NEW UV BULB:**

Follow the instructions on **page 16** to fit a new UV bulb.

**IMPORTANT:** After checking all the fittings are correctly tightened you can switch your unit back on.

As already mentioned, it is essential that the unit is protected from frost during the winter months, or disconnected from water and electricity supplies and stored indoors. During the spring and summer season, the quartz sleeve, which separates the UV bulb from the water passing through the unit, will need to be cleaned two or three times. This is essential, as dirt or limescale building up on the quartz sleeve will inhibit the penetration of the ultraviolet light into the water and affect the efficient working of the unit.

## REPLACING / CLEANING QUARTZ SLEEVE

**ALWAYS ISOLATE THE UNIT FROM ANY ELECTRICITY AND WATER SUPPLIES BEFORE CARRYING OUT MAINTENANCE ON THE UNIT.**

### **TO REMOVE A QUARTZ SLEEVE:**

**PLEASE NOTE: Removing the quartz sleeve will cause water to flow out of the unit.**

1. Remove the UV bulb as described on page 17.
2. With the electricity supply disconnected, evoUV isolated and UV Bulb removed, unscrew the locking nut at one end of the evoUV.
3. Carefully remove the quartz sleeve O-Ring and keep safe.
4. Unscrew the locking nut from the other end and remove the quartz sleeve O-Ring and keep safe.
5. Carefully remove the quartz sleeve taking care not to allow it to drop inside the UV body.
6. To drain any water that may be left in the unit, we would recommend that you unscrew the mounting bracket(s), disconnect the unit from the pipework, and tilt the unit to drain the chamber of water.
7. Clean the sleeve and polish with a soft cloth or paper towel. *If you live in a hard water area, you may get limescale on the quartz sleeve; this can be easily removed by using vinegar or a cold water descaler.*

**WARNING:** If the end caps / electrical connections get wet during this procedure, please ensure that they are thoroughly dried before re-connecting.

### **TO RE-INSTALL A QUARTZ SLEEVE:**

Follow the instructions on **pages 7 and 14** to re-install the quartz sleeve correctly.

**IMPORTANT:** After checking all the fittings are correctly tightened you can switch your unit back on.

### **TROUBLESHOOTING**

During this procedure or if you notice water leaking from around the end caps you should check the following:

1. Check the O-Ring is undamaged.
2. Check there are no cracks and breaks in the quartz sleeve.
3. Check that the locking nut is compressing the O-Ring to form a water tight seal.
4. Check that the end caps are sufficiently tight.
5. All components are clean and free from dirt and debris.

***\*Please note that the items list 1-5 are service items and therefore not subject to a claim under warranty. The service items listed are available from your EA stockist.***

## IN BUILT PROTECTION

The evoUV range of pond clarifiers have thermal overload protection which automatically shuts down and then enables a fast re-start when the problem has been cleared. This may be as a result of water in the end caps. Please see the troubleshooting section.

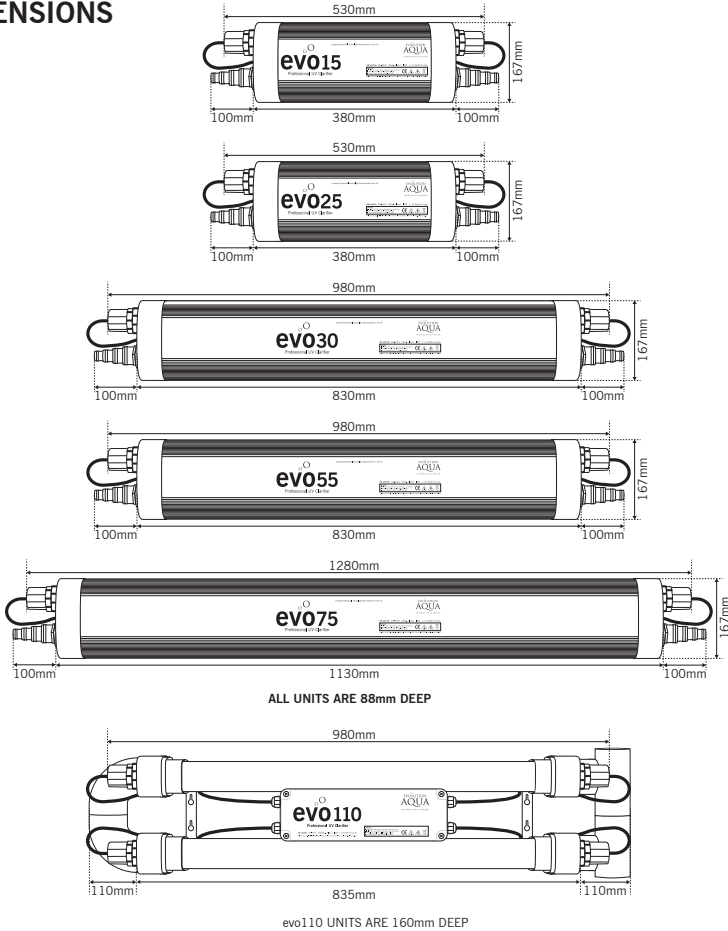
### Thermal Overload Protection -

This will automatically switch off the unit should the temperature exceed the maximum operating temperature limits.

### Automatic start up and shut down protection -

This protects the electrical components in the event of a power surge.

## DIMENSIONS



## **TROUBLE SHOOTING**

### **My pond water is not clear, is this due to the evoUV not working correctly?**

Koi, goldfish and other pond inhabitants can cause murky water by stirring up the bottom of the pond. This murky water should not be confused with suspended algae. Always check all your pond filtration is working and is being maintained correctly prior to checking the evoUV. Mechanical filtration is necessary.

### **If the UV bulb is not lit, then you need to investigate the power to your unit.**

- Has your RCD tripped? If yes, check your wiring and reset.
- Examine the UV bulb for signs of failure, and replace if necessary.
- Is the UV bulb fitted correctly? Unscrew the end caps and ensure correct fitting as per the instructions as described in this manual.
- Are the end caps dry? If not, allow to dry thoroughly. We recommend the use of a hair-dryer for this.

### **The unit worked well when I first installed it but recently my pond has gradually gone green again – what is wrong?**

Quartz sleeve may have become dirty and requires cleaning. Also make sure you have the right model for your pond size. Ensure your pond filtration is removing fish waste and debris efficiently. Dirt in ponds will affect the efficiency of the evoUV. Check that your pond water volume is pumping through the evoUV every 2 to 3 hours.

Only after you have carried out these checks should you contact your Evolution Aqua dealer, who will then be able to advise you further.

### **The unit appears to be leaking from the end fittings?**

This could possibly be caused by an incorrectly fitted, damaged or overtightened O-Ring on the quartz sleeve. Please check the quartz sleeve O-Ring, reposition it or if necessary replace it with a new one. Follow the steps on page 14 to test.

### **IMPORTANT: Do not fit the bulb socket or end cap until the issue is solved.**

If water enters the bulb socket it can cause irreparable damage to bulb socket and ballast. Damage caused by improper fitting of the quartz sleeve, o-rings and locking nuts are not covered under warranty.

## FREQUENTLY ASKED QUESTIONS

### **How often should I change the UV bulb?**

The evoUV bulb has an effective lifespan of 9000 hours, but it is an accepted practice to replace a UV bulb once a year, at the start of every pond season.

### **How long after I install the unit will my pond become clear?**

There are many factors which affect how long your evoUV will take to clear your pond, such as the levels of nutrients available to the algae, the water temperature and the level of sunlight. Assuming that you have installed the correct size unit, most ponds should clear within 3-14 days. However, this may take up to six weeks in some instances.

### **Does the evoUV harm fish, plants or wildlife?**

Ultraviolet bulbs leave no residues, and only affect the water pumped through the unit. Unlike many chemical treatments, your evoUV will not harm plants and animals living in the main pond.

### **Is the evoUV suitable for salt water use?**

The evoUV is manufactured from materials that will not corrode in salt water, however the stainless steel bracket will. Use alternative mounting means when using evoUV on saltwater systems.

### **Can I use my evoUV if I am using any treatments for my fish?**

Always check the manufacturer's instructions before using any water treatment as they will tell you whether it's recommended that the evoUV can be switched off or on.

### **How long can I leave the unit running?**

evoUVs have been designed and manufactured to the highest standards, and should be run 24 hours a day, every day, from mid March to early October, depending on the weather conditions. If the unit is frost protected it may be left running throughout the winter. Otherwise, the unit should be removed, drained and stored safely for the winter.

### **Can I bury the unit underground?**

No. The evoUV, although weatherproof, is not suitable for installing in any situation that may be subject to immersion in water.

### **Can it be used with ozone?**

Yes. The evoUV is safe to use with ozone units, however, the O-Rings on the hosetails are not. When using ozone units please use rigid pipe.

### **When replacing the bulb I cannot locate it into the bulb socket at the opposite end of the evoUV?**

Please follow the procedure for cleaning / replacing the quartz sleeve. This will explain the correct procedure for removing both end caps and sockets and explain the method for easy installation.

## GUARANTEE

This product is guaranteed against defects in material and workmanship for 2 years from the date of purchase, under normal usage. The guarantee DOES NOT APPLY in case of improper use, negligence, lack of maintenance or accidental damage to the evoUV. If the evoUV fails due to a manufacturing fault within this period it will be either repaired or replaced free of charge. Liability is limited to replacement of the faulty product only; no other costs will be reimbursed. This guarantee is not transferable and does not affect your statutory rights. This guarantee does not confer any rights other than those expressly set out above. This guarantee does not cover the evoUV bulb or quartz sleeve.

**Do not attempt to tamper with or access the electrical control box or casing inside the evoUV, as doing so will invalidate the warranty.**

The manufacturer or supplier shall not be responsible, or held liable for any damages caused by defective components or materials of this product; or for loss incurred by interruption of service; or any consequential/incidental damages and expenses arising from the production, sale use or misuse of this product or any other consequential loss.

Any warranty claim must be accompanied by a valid, dated proof of purchase.

Evolution Aqua and its dealers shall not be held liable for any loss of fish, plants or any other livestock as a result of any failure or defect of this product.

The installation and use of your product outside of our recommendations as printed in this manual may also void the warranty.

### Evolution Aqua Ltd

Evolution House  
Kellet Close  
Wigan  
Lancashire  
United Kingdom  
WN5 0LP

t: +44 (0) 1942 216554  
f: +44 (0) 1942 418489  
e: [info@evolutionaqua.com](mailto:info@evolutionaqua.com)  
w: [www.evolutionaqua.com](http://www.evolutionaqua.com)

EVOLUTION  
AQUA  
INNOVATION IN WATER



# nexus™

AUTOMATIC SYSTEM

- Hassle free way to clean Nexus filtration systems
- Automates the cleaning process of the Nexus
- Easily fits onto Nexus filters (post 2006 models)
- Control box automatically operates valves and pumps
- Adjustable timer controls the frequency of the cycle
- Easy to set up for multiple cleaning cycles
- Manual cycle can be carried out at touch of a button



# eazypod™

AUTOMATIC

- Mechanical, biological and UV filtration
- Automatic cleaning - even when you're not there
- Simple to install, easy to maintain
- Integrated air pump built into control box
- 620mm (w) x 655mm (h) x 740mm (d)
- Available with or without UV
- Spec in Granite Green or Grey colour



# PUREPOND

- Bacteria and enzymes delivered in gel-like balls
- Maintains crystal clear and healthy water
- Breaks down ammonia and nitrite
- Cleans up organic waste
- Reduces filter maintenance and cleaning
- Suitable for use in all types of ponds
- Add to filter for best results
- Available in 500ml, 1litre and 2 litre



# cetussieve™

- Easy maintenance
- Reduced backwashing of pressure filters
- Simple installation with flexible connectors
- Patented pondflow regulation system
- Large waste collection which is easy to clean
- Robust one piece mould with no welded joints
- Can be installed on pump or gravity fed set-ups
- 575mm (w) x 945mm (h) x 860mm (d)

# COMPLETE THIS FORM & SEND IT TO US TODAY. TO REGISTER YOUR 2 YEAR evoUV WARRANTY.

Your evoUV comes with a 2 year warranty. You can register your warranty with us, by simply completing the information below and return this form to us by post, email or by fax. This gives you peace of mind for a full 2 years.

Complete this form, cut it out and return it using one of the following methods:



Post this in an envelope to:

**Evolution House,  
Kellet Close, Wigan,  
Lancashire,  
United Kingdom,  
WN5 0LP**



Scan and email this form to:  
**marketing@evolutionaqua.com**



Fax a copy of this form to:  
**+44 (0) 1942 418489**

Your Name: \_\_\_\_\_

Your Address: \_\_\_\_\_  
\_\_\_\_\_

Postcode: \_\_\_\_\_

Country: \_\_\_\_\_

Tel N°: \_\_\_\_\_

Mobile N°: \_\_\_\_\_

Email: \_\_\_\_\_

Purchased From: \_\_\_\_\_

Date of Purchase: \_\_\_\_\_ / \_\_\_\_\_ / \_\_\_\_\_

Model of evoUV: \_\_\_\_\_

Serial Number: \_\_\_\_\_

**Other Evolution Aqua products I use: (please tick)**

Nexus 220  Nexus 320  EazyPod  EazyPod Complete  Cetus Sieve  Dechlorinator   
AirPumps  Perfect Pumps  Pumps  Pure Products  Treatments  EA Foods

**Please send me information about other Evolution Aqua products including: (please tick)**

Nexus 220  Nexus 320  EazyPod  EazyPod Complete  Cetus Sieve  Dechlorinator   
AirPumps  Perfect Pumps  Pumps  Pure Products  Treatments  EA Foods

I have read and accept the terms and conditions of the guarantee,  
and I understand the obligations of the Customer under this warranty.

Signature: \_\_\_\_\_ Date: \_\_\_\_\_ / \_\_\_\_\_ / \_\_\_\_\_

Evolution Aqua Ltd. may contact you in the future with product updates or offers, which may be of interest to you.  
If you do not wish to receive this information please tick this box.



**Evolution Aqua** are the award winning pond filtration manufacturer who put innovation, research and development at the top of their agenda. With a proven track record for delivering the latest technology to the aquatics and fish farming markets - we are the first choice for everyone from the general hobbyist to the serious fishkeeper. Find out more about the evoUV and all of our other innovative products at [www.evolutionaqua.com](http://www.evolutionaqua.com). The difference is clear.

# EVOLUTION AQUA

INNOVATION IN WATER

## **Evolution Aqua Ltd**

Evolution House

Kellet Close

Wigan

Lancashire

United Kingdom

WN5 0LP

t: +44 (0) 1942 216554

f: +44 (0) 1942 418489

e: [info@evolutionaqua.com](mailto:info@evolutionaqua.com)

w: [www.evolutionaqua.com](http://www.evolutionaqua.com)